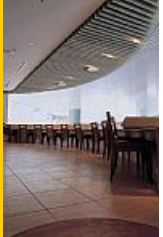




PUHY-HP400YSHM-A

Zubadan Y Series 16hp Outdoor Unit

R410A Heat Pump



The new City Multi Zubadan heat pumps achieve and excellent heating performance even when the outdoor air temperature is as low as -25 degrees C.

- **Stable Heating Performance - Full heating capacity at -15 degrees C, which is a 40% capacity improvement over the standard YHM-A model**
- **Stable Operation -Utilising the new Flash Injection Circuit the Zubadan models have reduced defrost times and can provide continuous heating for up to 250mins**
- **Quick Start-Up - Full heating capacity is achieved in about 20 mins, improving comfort levels**
- **Energy-saving 100% inverter driven outdoor compressor units with very low start currents.**



Pictures not to scale

Product Details

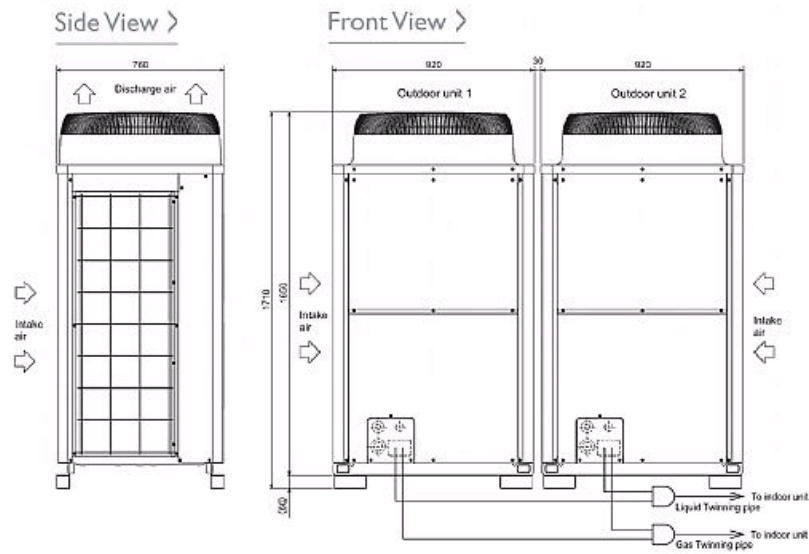
PUHY-HP400YSHM-A	
Capacity (kW):	
Heating (Nominal)	50.0
Cooling (Nominal)	45.0
Heating (UK)	53.0
Cooling (UK)	42.3
Power Input (kW) Heating (Nominal)	13.35
Power Input (kW) Cooling (Nominal)	12.86
Power Input (kW) Heating (UK)	21.36
Power Input (kW) Cooling (UK)	9.52
Max No. of Connectable Indoor Units	34
Airflow(m ³ /min)	225 /225
Noise (dBA)	59
Width - mm	920 + 920
Depth - mm	760
Height - mm	1710
Weight - kg	220 + 220
Electrical Supply	380-415v, 50Hz
Phase	3
Mains Cable No. Cores	4 + earth
Starting Current (A)	8
Running Current (A) - Heating	20.6
Running Current (A) - Cooling	19.8

Piping Restrictions

Total Piping Length (m)	300
Furthest Piping Length (m)	150
Furthest Piping Length after 1st Branch (m)	40
Between Indoor and Outdoor Units - Height (m)	50
Between Indoor and Indoor Units - Height (m)	15

Dimensions

PUHY-HP400YSHM-A



Telephone: 01707 282880

Email: air.conditioning@meuk.mee.com Website: <http://www.mitsubishielectric.co.uk/aircon>

Mitsubishi Electric reserves the right to make any variation in technical specification to the equipment described, or to withdraw or replace products without prior notification or public announcement.

Tel:
Fax:

